



Tree Spade



Tree Spade is a tool which is used to transplant trees (uprooting a tree from one location and planting it at a different location). Transplantation is an effective method of saving the trees from being cut which come in the way of important infrastructure, construction, mining, road and oil/ gas pipeline sites.

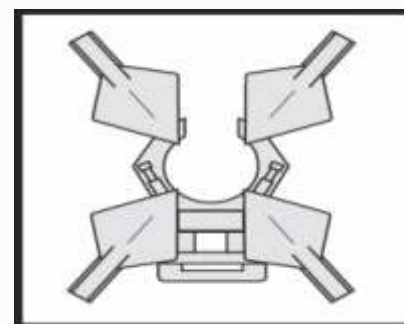
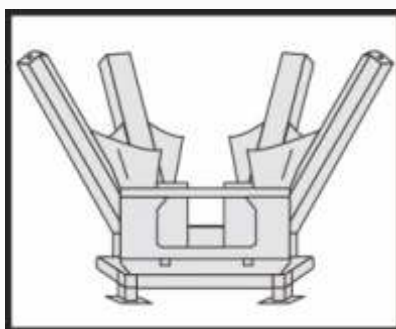
The Spade is mounted as an attachment on a carrier equipment such as a wheel loader or skid steer loader and is operated hydraulically. Spades are employed to cut a hole in the ground at the location where the tree is to be transplanted. Some spades uproot the tree along with the roots and surrounding soil. The tree is then replanted in the previously dug hole.

Salient Features

- Compact design for ease of operation in confined areas to avoid damage of close vicinity trees.
- Enhanced visibility for faster operation/ production.
- Spades are made of high tensile steel that hardens with usage, for reliable digging and compacting performance.
- Creates more variety of root ball sizes.
- Ability to dig both shallow and deep rooted trees.
- Option of 3 and 4 blades with angles from 25 to 30 degrees.
- Overlapping blades to ensure clean root cutting.

Specifications

| Model | TS 310 | TS 318 | TS 412 | TS 415 | TS 418 | TS 420 | TS 440 |
|-----------------------|---|---------|---------|---------|--|---------|-------------------------------|
| Overall Length (mm) | 1420 | 1727 | 1320 | 1991 | 1974 | 2030 | 3368 |
| Overall Width (mm) | 1420 | 1676 | 1476 | 1596 | 1692 | 2022 | 3085 |
| Overall High (mm) | 1385 | 1753 | 1320 | 1868 | 1994 | 2390 | 3600 |
| Digging Depth (mm) | 485 | 747 | 500 | 747 | 787 | 1030 | 1350 |
| Blades Angle (°) | 30 | 30 | 30 | 30 | 30 | 30 | 25 |
| Working Flow (L/min) | 20-65 | 20-65 | 60~80 | 60~80 | 60~80 | 60~85 | 120-150 |
| Pressure (Mpa) | 12-21 | 12-21 | 12-21 | 12-21 | 12-21 | 12-21 | 12-21 |
| Tree Trunk Dia. (mm) | 0-100 | 0-180 | 0-120 | 0-150 | 0-180 | 0-200 | 0-400 |
| Ball Diameter (mm) | 0-500 | 0-900 | 0-600 | 0-900 | 0-1100 | 0-1270 | 0-1905 |
| Digging Blade Number | 3-blade | 3-blade | 4-blade | 4-blade | 4-blade | 4-blade | 4-blade |
| Weight (Kg) | 450 | 681 | 545 | 816 | 865 | 1000 | 3000 |
| Suitable Host Machine | Skid steer loaders, Small wheel loaders, Excavators, Etc. | | | | Big skid loaders, 3 Tons wheel loaders | | At least 5 Tons wheel loaders |



Warranty

All products are guaranteed against defects due to faulty workmanship or materials for twelve months from the date of purchase. This guarantee is limited to the repair or replacement of any parts found to be defective, and no other liability—expressed, implied, or contingent—is assumed.

Disclaimer

These specifications are general guidelines for product selection and can be changed for your specific requirement. Dimensions and weights are provided for convenience of reference only and may vary upon manufacturing of individual product.



Ajashy Engineering Sales Private Limited

1505-1506, Tower 4, 15th Floor, DLF Corporate Greens,
Southern Peripheral Road, Sector-74 A, Gurugram, Haryana, India - 122004

Fixed Lines: 0124-5181505/06 | +91-9311666631 Email: info@ajashy.com Web: www.ajashy.com